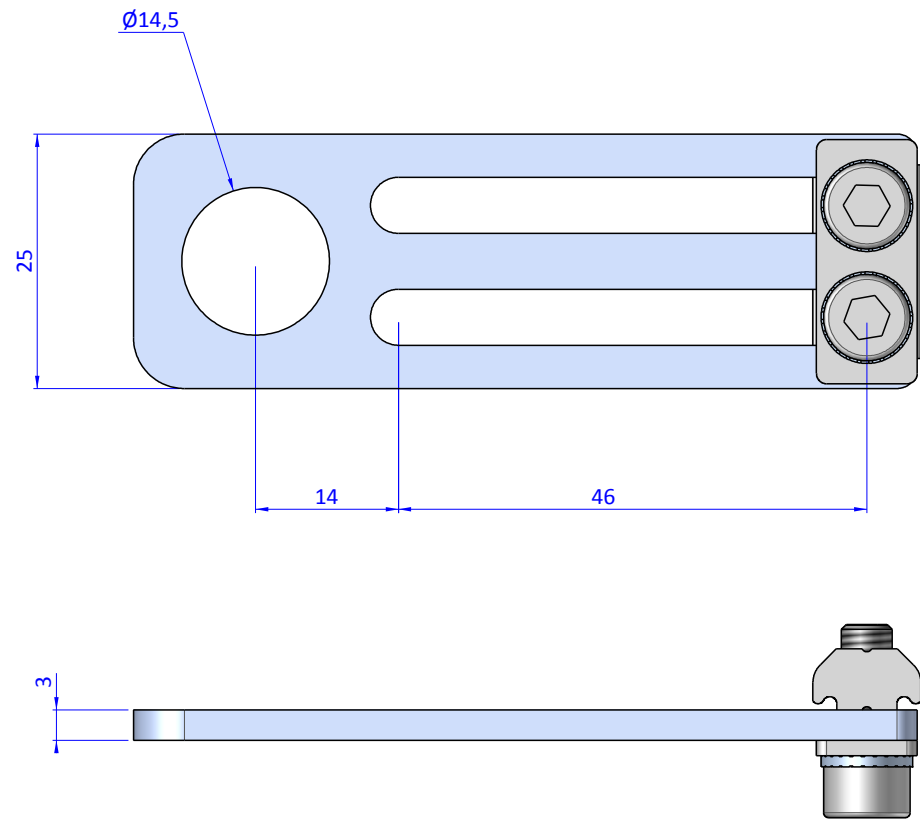
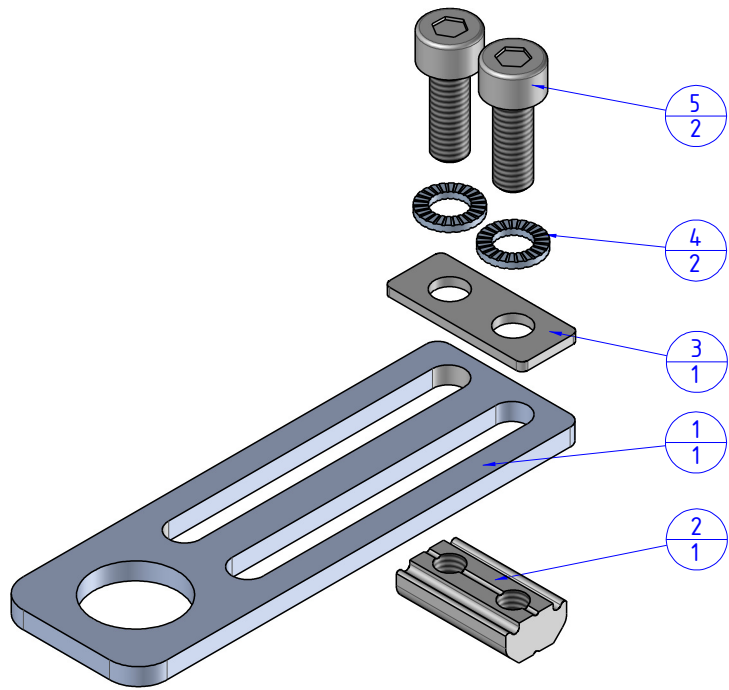


THE PROPERTY OF THE DRAWING IS ESTABLISHED BY LAW. IT IS FORBIDDEN TO PRODUCE OR SHOW IT TO THIRD PARTY WITHOUT A WRITTEN AGREEMENT.

Item	Name	Q.ty
1	CA.04.20.14	1
2	CA.GWP.5.11	1
3	R.05.11	1
4	R.5.SCH	2
5	V.TCE5x14	2



Format A3

UNI 936-76

<b>FP SERVICES</b> AUTOMATION		DESIGNED FROM FPSERVICES		REVIEW A
GENERAL TOLERANCE UNI - ISO 2768 CLASSE 1		DATE 30/04/2016	WEIGHT 0,046kg	
DESCRIPTION CA.04.20.14.X		CODE CA.04.20.14.X		